

ORTAC METAL CABLE GLANDS SERIES



METAL CABLE GLANDS STANDARD TYPE BRASS

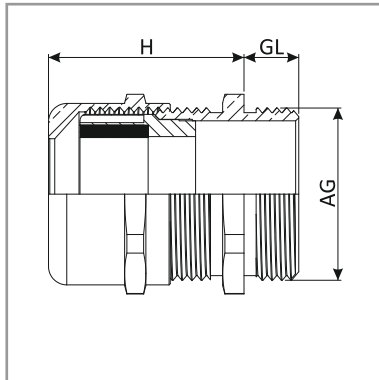
TECHNICAL DETAILS

Material

Cap nut	: Brass with nickel plated
Clamping insert	: Polyamide PA6 V2
Sealing ring	: TPV
Gland body	: Brass with nickel plated
O-ring	: NBR
Connection thread	: PG (DIN 40430)
Certificates	: UR, ROHS, CE, PT, TUV,
Protection class	: IP68 - 5 bar
Temperature range	: -20 °C + 100 °C -40 °C + 150 °C (short term)

Properties

Easy to assemble
Long thread versions
High strain relief



PG THREAD CABLE GLANDS

AG Thread	Code	H mm	GL mm	mm	mm
PG 7	OPBG 01	22	6	14	3 - 6,5
PG 9	OPBG 02	23	6	17	4 - 8
PG 11	OPBG 03	24,5	6	20	5 - 10
PG 13,5	OPBG 04RS	26,5	6,5	22	4 - 10
PG 13,5	OPBG 04	26,5	6,5	22	6 - 12
PG 16	OPBG 05	28	6,5	24	10 - 14
PG 21	OPBG 06	31,5	7	30	13 - 18
PG29	OPBG 07	38	8	40	18 - 25
PG36	OPBG 08	43	10	50	22 - 32
PG42	OPBG 09	47	12	57	30 - 38
PG48	OPBG 10	48	14	64	33 - 44

LONG THREAD PG CABLE GLANDS

PG 7	OPBG 11	22	10	14	3 - 6,5
PG 9	OPBG 12	23	10	17	4 - 8
PG 11	OPBG 13	24,5	10	20	5 - 10
PG 13,5	OPBG 14RS	26,5	10	22	4 - 10
PG 13,5	OPBG 14	26,5	10	22	6 - 12
PG 16	OPBG 15	28	10	24	10 - 14
PG 21	OPBG 16	31,5	12	30	13 - 18
PG29	OPBG 17	38	12	40	18 - 25
PG36	OPBG 18	43	14	50	22 - 32
PG42	OPBG 19	47	18	60	30 - 38
PG48	OPBG 20	48	18	65	33 - 44

PRODUCT RANGE OVERVIEW

IP 68

Halogen free